

Size: 233mm × 124mm × 129mm

Motor: Capacitor induction

Bearing: Ball

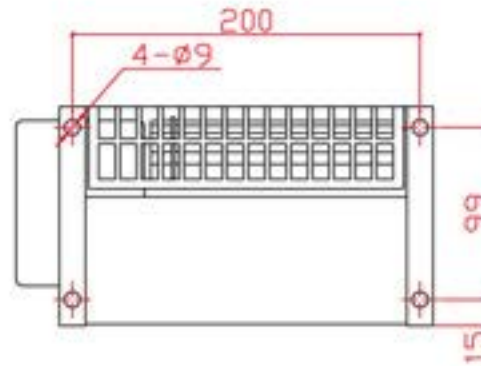
Impeller: Aluminum, Ø95mm × 155mm

Frame: Steel with plastic-coated

Weight: 3.0kg

Life: 30000hours

Operation Temperature: -20°C ~ +70°C



Model	Voltage VAC	Freq. Hz	Current A	Power W	Speed RPM	Air flow m ³ /hr	Noise dB
GF-240-95	220	50/60	0.26/0.36	58/78	2650/2820	300/315	≤65

