

Size: 172mm × 150mm × 51mm

Motor: Shaded Pole induction

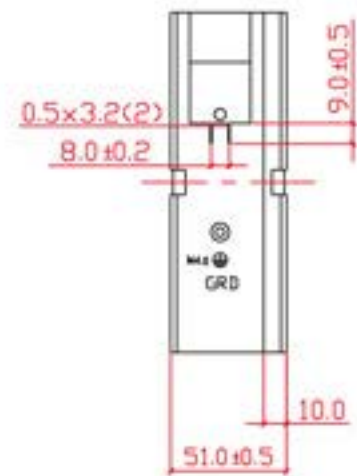
Bearing: Ball

Impeller: Reinforced Plastic

Frame: Aluminum Alloy

Weight: 880g

Operation Temperature: -10°C ~ +70°C



Model	Voltage VAC	Freq. Hz	Current A	Power W	Speed RPM	Air flow m ³ /hr	Noise dB
GF175IB1H	220-240	50/60	0.40	47/42	2750/3000	270/305	51/55
GF175IB1M	220-240	50/60	0.30	28/27	2500/2700	250/270	49/51
GF175IB1L	220-240	50/60	0.20	20/20	2250/2400	230/240	45/47
GF175IB2H	100-125	50/60	0.60	47/42	2750/3000	270/305	51/55
GF175IB2M	100-125	50/60	0.50	28/27	2500/2700	250/270	49/51
GF175IB2L	100-125	50/60	0.40	20/20	2250/2400	230/240	45/47

